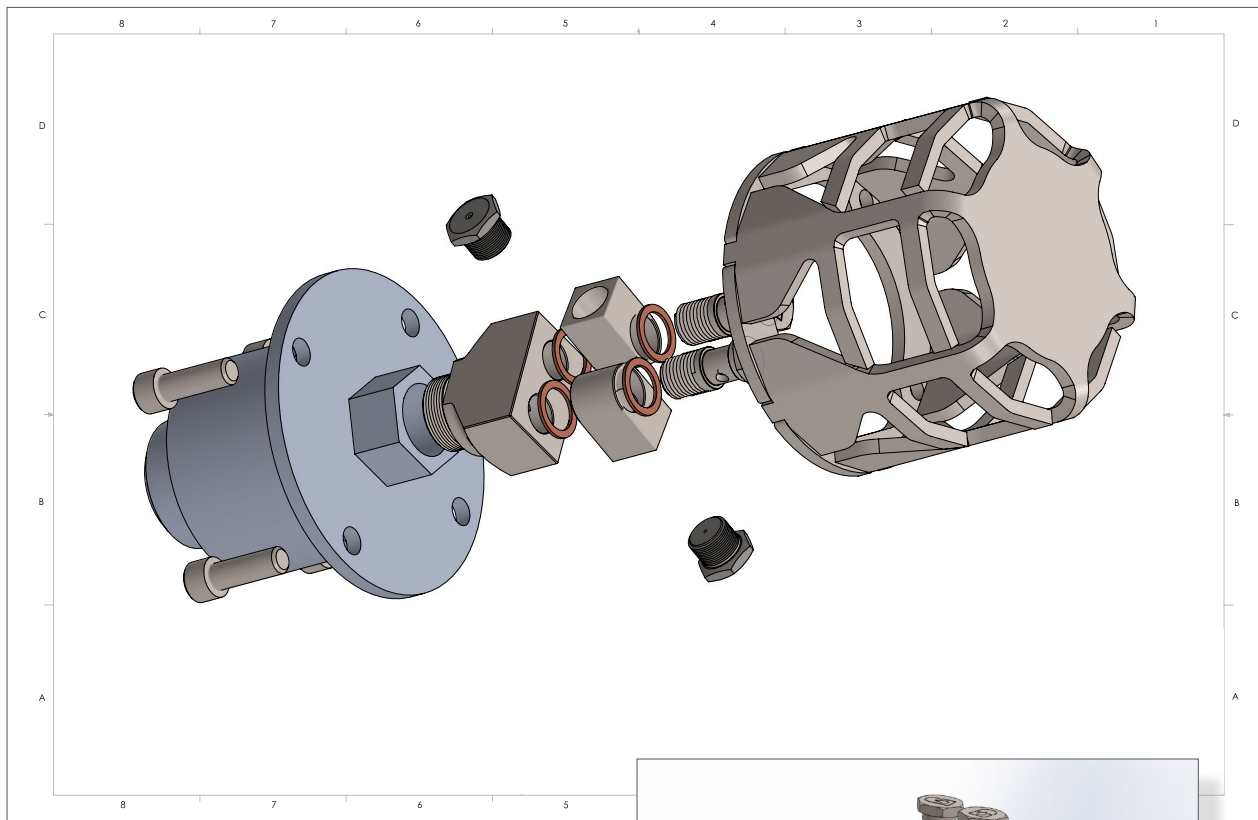


DRIPLOC Stinger 3" Duct Cleaner

"Available Now" – New Patent Pending Design



- Patent Pending Technology
- Deep Cleaning
- Variable Speed Control Heads
- High Temp
- High R.P.M.
- High Pressure
- Field Rebuildable

Swivel specs- 3-6 G.P.M. 5000 P.S.I. 210 degree

